

SPECIALTY HARDWARE, PLUMBING & LIGHTING

1114 W. 5th Street, Bldg. A
Austin, TX 78703

512-462-1444 voice
512-462-1446 fax

4335 McCullough Ave.
San Antonio, TX 78212

210-320-2093 voice
www.alexandermarchant.com



Margaux Freestanding Cast Iron Bathtub



SHOWN IN BURNISHED CAST IRON

TECHNICAL DETAILS

- Bathing Well Sitting Angle: 107 degree_angle
- Bottom Angle / Pitch: 1.25 degree_angle
- Depth to Overflow: 16 1/2"
- Drain Hole Depth: 1"
- Drain Hole Diameter: 2 1/2"
- Drilling Option: None
- Depth / Width: 30"
- Height: 27"
- Installation Type: Freestanding
- Item Weight (Filled): 1068.0 pounds
- Length: 70"
- Material / Wall Thickness: 5/16"
- Overflow Hole Diameter: 1 7/8"
- Overflow Opening: Yes
- Primary Material: Cast Iron

PRODUCT FEATURES

Finishes: Burnished & Primed

SPECIALTY HARDWARE, PLUMBING & LIGHTING

1114 W. 5th Street, Bldg. A
Austin, TX 78703

512-462-1444 voice
512-462-1446 fax

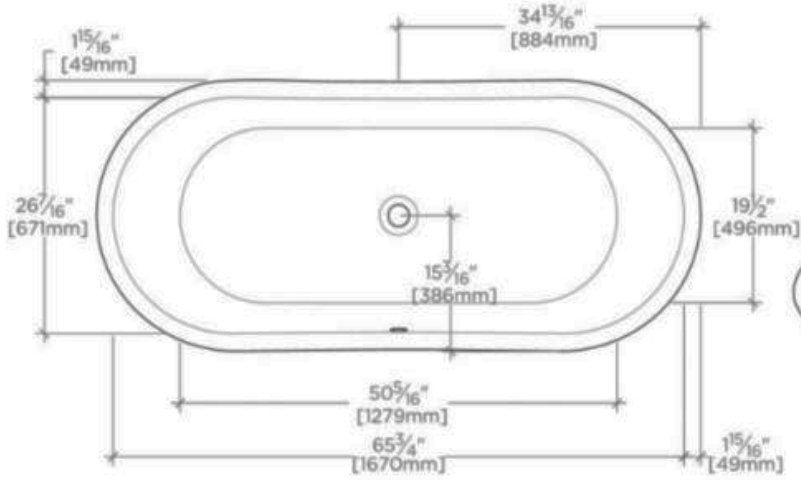
4335 McCullough Ave.
San Antonio, TX 78212

210-320-2093 voice
www.alexandermarchant.com



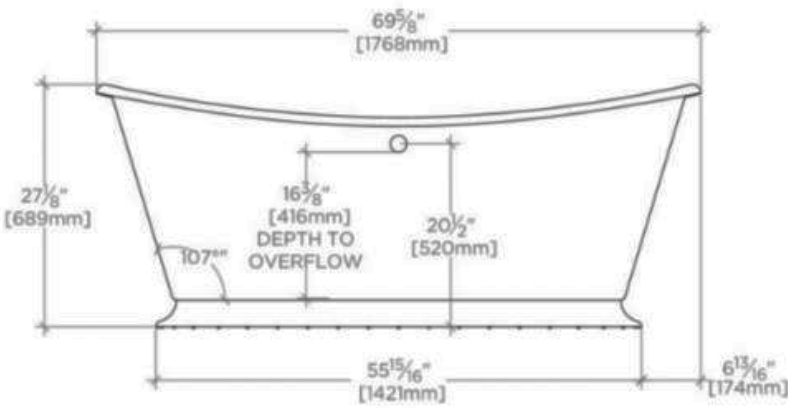
ALEXANDER MARCHANT

Margaux Freestanding Cast Iron Bathtub



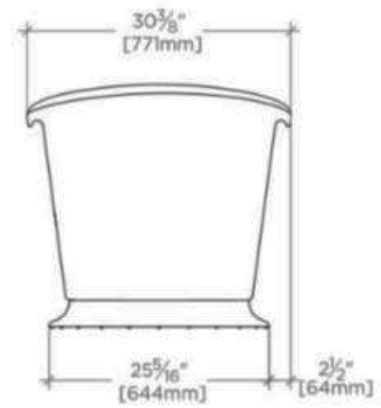
TOP VIEW

SCALE: 1/2"=1'-0"



SIDE VIEW

SCALE: 1/2"=1'-0"



END VIEW



ESTB. 1978

WATERWORKS