

## SPECIALTY HARDWARE, PLUMBING & LIGHTING

1114 W. 5th Street, Bldg. A  
Austin, TX 78703

512-462-1444 voice  
512-462-1446 fax

4335 McCullough Ave.  
San Antonio, TX 78212

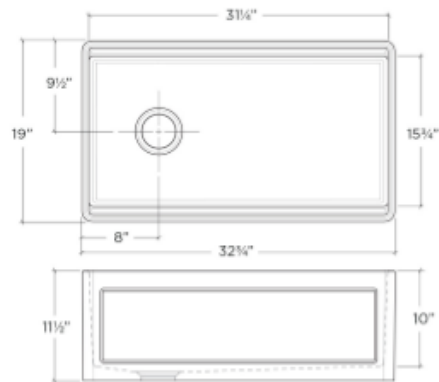
210-320-2093 voice  
www.alexandermarchant.com



## HOME REFINEMENTS JULIEN

### 093319 | FIRA

UNDERMOUNT WITH APRON FRONT FIRECLAY KITCHEN SINK



#### Specifications

Model	093319
Collection	Fira
Bowl dimensions	31 1/4" × 15 3/4" × 10"
Overall dimensions	32 3/4" × 19" × 11 1/2"
Recommended cabinet	36"

#### Recommended accessories

Drain	100081
Grid	200265
Colander SmartStation	205038
Tray SmartStation	205041
Cutting board SmartStation	210060
Cutting board SmartStation	210061
Presentation board SmartStation	210062
Drying Rack SmartStation	215009

#### Features

- Designed in Canada, handcrafted in Italy
- Integrated accessory ledge to sit full range of SmartStation accessories
- Includes a SmartStation 12-3/4" wide solid walnut cutting board
- Reversible apron front design: flat or shaker style
- Deep 10" bowl and 3/4" thick walls for optimized work space
- Made of fireclay and glazed on all sides, white gloss finish
- Offset center 3-1/2" drain
- Sloped bottom for maximized drainage
- Waste disposal unit compatible, does not require an extended flange
- No template provided, recommended to have the sink on hand for final sizing of cabinet and countertop
- ASME A112.19.2/CSA B45.1

#### Warranty

Home Refinements offers a 1-YEAR LIMITED WARRANTY against manufacturing defects and a 10-YEAR LIMITED WARRANTY on fading/staining issues on its fireclay sinks. For further details on our product warranty, please refer to our catalog or Web site.

Contact Showroom for current lead time

**SPECIALTY HARDWARE, PLUMBING & LIGHTING**

1114 W. 5th Street, Bldg. A  
Austin, TX 78703

512-462-1444 voice  
512-462-1446 fax

4335 McCullough Ave.  
San Antonio, TX 78212

210-320-2093 voice  
www.alexandermarchant.com



## Fireclay Farmhouse Sink Accessories



Optional Accessories



Undermount installation