

**SPECIALTY HARDWARE, PLUMBING & LIGHTING**

1114 W. 5th Street, Bldg. A  
Austin, TX 78703

512-462-1444 voice  
512-462-1446 fax

4335 McCullough Ave.  
San Antonio, TX 78212

210-320-2093 voice  
[www.alexandermarchant.com](http://www.alexandermarchant.com)



**Devon&Devon Diva Bathtub**

67.5" L x 23.625" H x 31" Overall Width

\*White Tec Composite Material

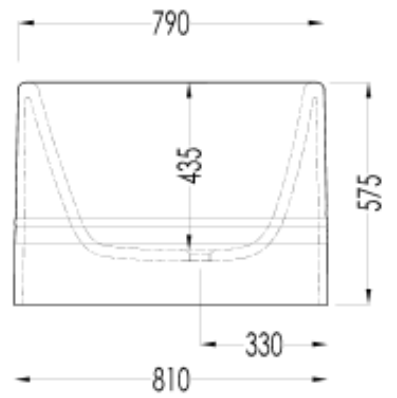
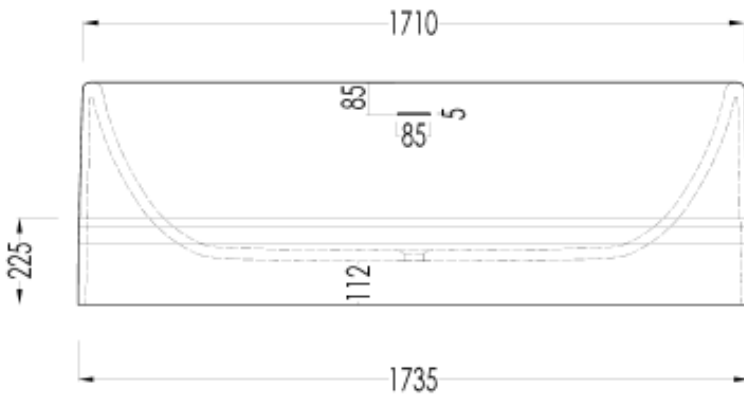
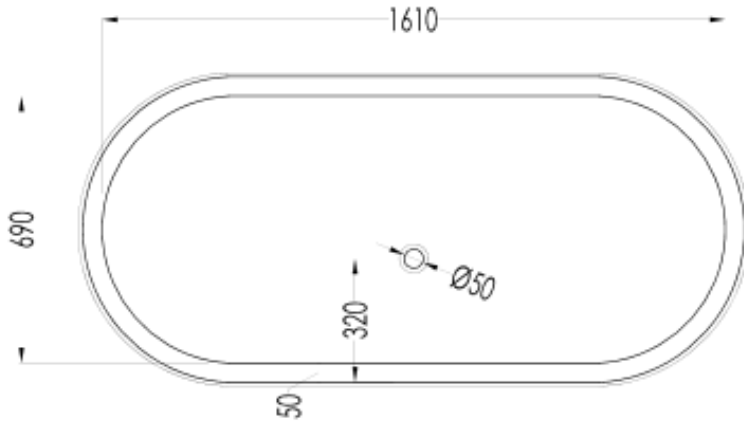
**SPECIALTY HARDWARE, PLUMBING & LIGHTING**

1114 W. 5th Street, Bldg. A  
Austin, TX 78703

512-462-1444 voice  
512-462-1446 fax

4335 McCullough Ave.  
San Antonio, TX 78212

210-320-2093 voice  
[www.alexandermarchant.com](http://www.alexandermarchant.com)



## SPECIALTY HARDWARE, PLUMBING & LIGHTING

1114 W. 5th Street, Bldg. A  
Austin, TX 78703

512-462-1444 voice  
512-462-1446 fax

4335 McCullough Ave.  
San Antonio, TX 78212

210-320-2093 voice  
[www.alexandermarchant.com](http://www.alexandermarchant.com)



### **What is White-tec**

Devon and Devon bath tubs are made of a composite material specifically designed to meet the highest quality, technology and environment standards.

The highly functional solid surface of is uniform, non-porous, smooth and hygienic, does Not turn yellow over time, withstands daily wear and is UV resistant. White Tec is completely non-toxic, inert, hypo-allergenic and flame-retardant. It can be restored, repaired and recycled and is, therefore, environment friendly. Its exceptional characteristics are the result of attentive selection of the raw materials used. Its main component is a natural mineral filler, aluminium tri-hydrat (ATH), a mineral derived from bauxite with which it is alloyed with a low percentage of acrylic polymers and polyesters.

### **How to clean**

#### **Daily cleaning:**

If there are no stubborn or persistent stains, clean with a coarse sponge dipped only in water or mild detergents to restore the beauty of your D&D bath tub.

#### **Thorough cleaning:**

to eliminate stubborn stains, apply abrasive detergents with a coarse sponge. If the stain persists or in the case of deep scratches, use fine-grain sandpaper (provided) to smooth the surface and then rinse thoroughly with water using the soft side of the sponge.

Although the White-tec material is compact and non-porous with good stain resistance, it is advisable not to use very aggressive detergents and cosmetics such as acids and acetone.