

SPECIALTY HARDWARE, PLUMBING & LIGHTING

1114 W. 5th Street, Bldg. A
Austin, TX 78703

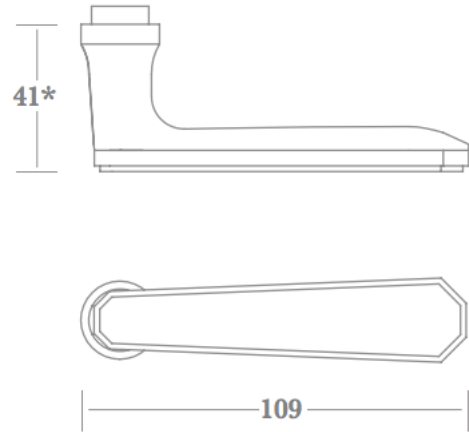
512-462-1444 voice
512-462-1446 fax

4335 McCullough Ave.
San Antonio, TX 78212

210-320-2093 voice
www.alexandermarchant.com



SULLIVAN LEVER WITH TRADITIONAL ROUND ROSETTE
Shown in polished Nickel



Ideal for both new build and refurbished projects. Designed for use in both commercial and residential environments, complementing the finest doors and interior schemes.

Size Details:

Lever: 4-3/10" L, 1-3/5" Projection

Rosette: 2" Diameter

Available Finish Options in both lacquered and unlacquered:

Polished Lacquered Brass, Polished Unlacquered Brass, Satin Brass, Satin Unlacquered Brass, Antique Brass Unlacquered, Hand Burnished Brass, Hand Burnished Nickel, Polished Nickel, Polished Chrome, Polished Unlacquered Bronze, Satin Unlacquered Bronze, Imperial Brass, Ebony Bronze, Antique Nickel