

SPECIALTY HARDWARE, PLUMBING & LIGHTING

1114 W. 5th Street, Bldg. A
Austin, TX 78703

512-462-1444 voice
512-462-1446 fax

4335 McCullough Ave.
San Antonio, TX 78212

210-320-2093 voice
www.alexandermarchant.com



ALEXANDER MARCHANT

FLOOR BOLT

SHOWN IN POLISHED NICKEL

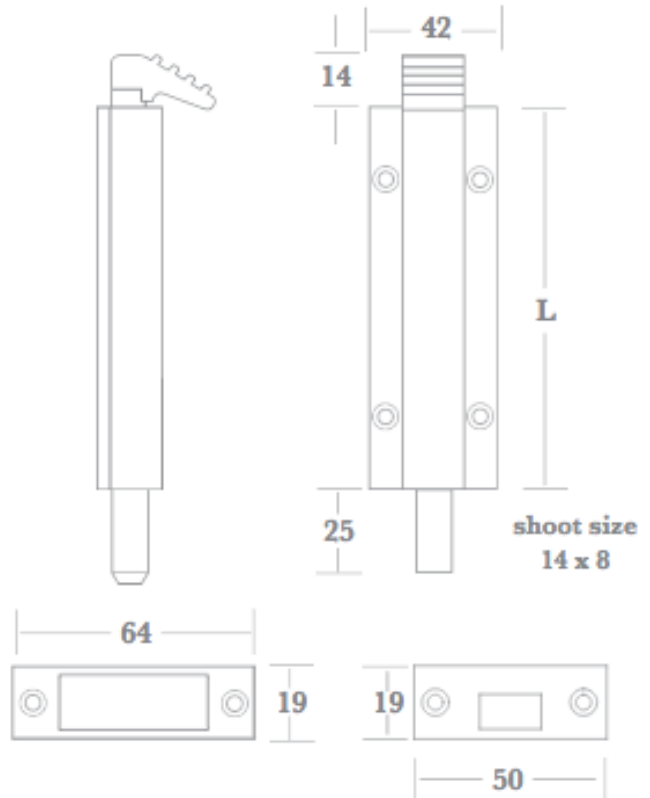


Available Sizes

6" L x 1-7/10" W

Available Finishes

Unlacquered Polished Brass, Unlacquered Satin Brass, Polished Nickel, Satin Nickel, Antique Brass, Imperial Brass, Hand Burnished Brass, Hand Burnished Nickel, Ebony Bronze



****Made-To-Order: Please allow 8-10 week lead-time for delivery.***