

**SPECIALTY HARDWARE, PLUMBING & LIGHTING**

1114 W. 5th Street, Bldg. A  
Austin, TX 78703

512-462-1444 voice  
512-462-1446 fax

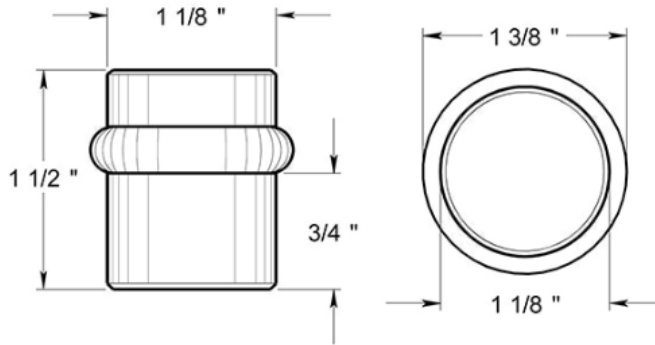
4335 McCullough Ave.  
San Antonio, TX 78212

210-320-2093 voice  
www.alexandermarchant.com



# 1-1/2" UNIVERSAL FLOOR BUMPER

SHOWN IN SATIN CHROME



## Available Size

1-1/2" H, 1-3/8" Diameter

## Available Finishes

Polished Lacquered Brass, Polished Unlacquered Brass, Satin Brass, Antique Brass, Oil Rubbed Bronze, Polished Nickel, Satin Nickel, Matte Black, Satin Chrome, Polished Chrome, Antique Nickel

***\*Made-To-Order: Please allow 2 week lead-time for delivery.***