

SPECIALTY HARDWARE, PLUMBING & LIGHTING

1114 W. 5th Street, Bldg. A
Austin, TX 78703

512-462-1444 voice
512-462-1446 fax

4335 McCullough Ave.
San Antonio, TX 78212

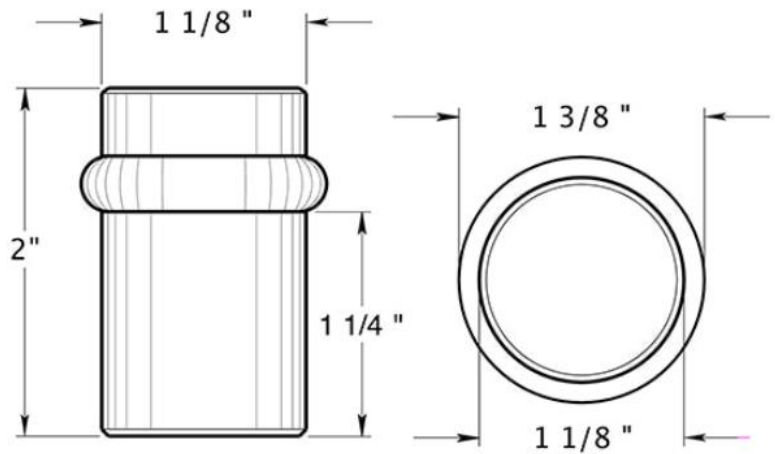
210-320-2093 voice
www.alexandermarchant.com



ALEXANDER MARCHANT

2" UNIVERSAL FLOOR BUMPER

SHOWN IN SATIN CHROME



Available Size

1-1/2" H, 1-3/8" Diameter

Available Finishes

Polished Lacquered Brass, Polished Unlacquered Brass, Satin Brass, Antique Brass, Oil Rubbed Bronze, Polished Nickel, Satin Nickel, Matte Black, Satin Chrome, Polished Chrome, Antique Nickel

****Made-To-Order: Please allow 2 week lead-time for delivery.***