

# WATERWORKS REGULATOR LOW PROFILE THREE HOLE WALL MOUNTED LAVATORY FAUCET - LOW METAL WHEEL HANDLES

SHOWN IN POLISHED NICKEL



## TECHNICAL DETAILS

Control Valve Rough-in Depth Maximum: 5 1/2"  
Control Valve Rough-in Depth Minimum: 2 5/8"  
Drain Hole Diameter: 1 3/4"  
Drain Style: Push Touch  
Escutcheon Primary Material: Brass  
Fittings Hole Diameter: 1 3/8"  
Flow Restriction Options: 1.0, 1.2, 1.5, 1.75, 2.11  
Handle Spread Maximum: 8"  
Handle Spread Minimum: 8"  
Handle Turn Angle: Quarter Turn  
Depth / Width: 8 7/8"  
Drain Depth Minimum: 3/8"  
Height: 5"  
Inlet Connection Size: 1/2"  
Inlet Connection Type: Female NPT  
Inlet Supply Spread Maximum: 8"  
Inlet Supply Spread Minimum: 8"  
Length: 12 5/8"  
Number of Holes: Three Hole  
Primary Material: Brass  
Spout Swivel: N  
Suggested Application: Bath  
Water Pressure Maximum: 85.0 psi  
Water Pressure Minimum: 20.0 psi  
Water Pressure Recommended: 45.0 psi

## INSPIRATION

A play on industrial controls from the early 1900s, when pride was lavished on parts. Translated to handcrafted, fittings project rugged beauty through powerful, detailed shapes.

## PRODUCT FEATURES

Metal Wheel Handle

Includes European push touch style drain.

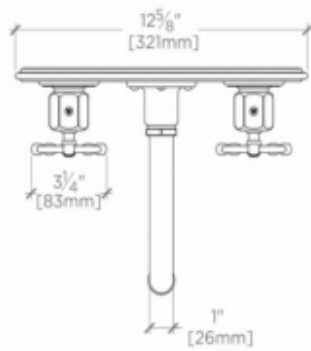
Stocked in Nickel, Chrome and Unlacquered Brass

Standard flow rate is 2.2gpm (8.3 L/min) and State of California requires 1.2gpm(4.5 L/min). Also available in other flow options. Contact a sales associate for details.

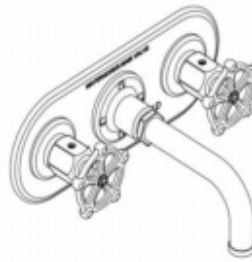




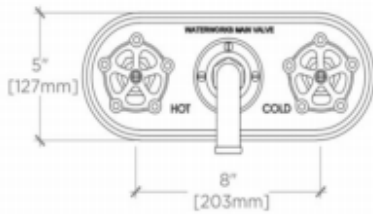
# WATERWORKS REGULATOR LOW PROFILE THREE HOLE WALL MOUNTED LAVATORY FAUCET - LOW METAL WHEEL HANDLES



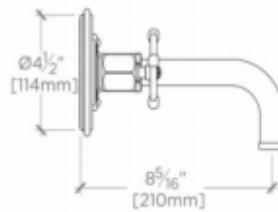
TOP VIEW SCALE: 2"=1'-0"



ISO VIEW SCALE: 2"=1'-0"



FRONT VIEW SCALE: 2"=1'-0"



SIDE VIEW SCALE: 2"=1'-0"